



- Quality
- Service
- Value

INDOOR/OUTDOOR

Waste Receptacles & Ash Urns



Code 310



Code 311



Code 311SA



Free standing all stainless receptacles: indoor, outdoor and receptacle with ash urn.



Code 312



Code 312SA



The **A.R.C.**TM
Series

*Architectural
Receptacles &
Containers*

Wall hung waste receptacle,
receptacle with ash urn and ash urn only.



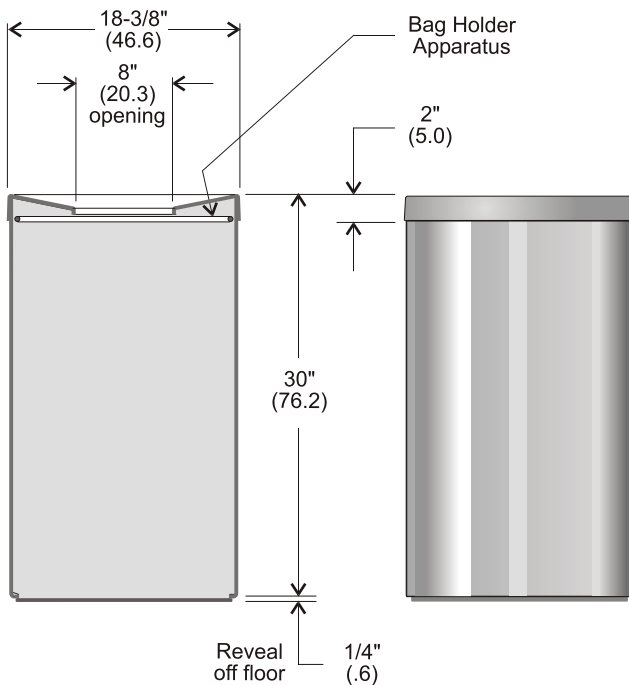
Architectural Stand Alone Waste Receptacles

Code 310: Large capacity all stainless steel waste receptacle, type 430 no. 4 brushed finish.

Code 310-W: Large capacity waste receptacle, white finish on body with type 430 stainless steel top.

Code 310-B: Large capacity waste receptacle, black finish on body with type 430 stainless steel top.

Overall dimensions in inches (centimeters in brackets)



Code 310 section

Code 310 side view

Code 310
(3/4 view)

Specifications

- Site location:**
- The stainless steel free standing waste receptacles are ideal for high traffic areas requiring the quality and durability of an all stainless unit without the commitment of wall mounting.
 - The 310 offers clean geometric design lines with radiused corners, ideal for lobbies and reception areas.
- Features:**
- All stainless steel construction, type 430 no 4 brushed finish. (22 ga. CRS on -W & -B)
 - Spun 20 ga. type 430 stainless steel top.
 - One piece roll formed 22 gauge stainless steel body. 22 ga. stainless steel spun bottom.
 - One piece roll formed 22 ga. CRS body and 22 ga. CRS spun bottom on -W & -B models.
 - Comes with standard bag holder apparatus.
 - 1/4" (.6 cm) reveal off floor.
- Volume:**
- 27.5 gal.(Imp.), 33 gal. (US), 125 litres.
- Shipping weight:**
- 31 lbs. (13.7 kg.)
- Packaging:**
- Shipped in a durable double walled corrugated container. Body comes with a protective plastic to be removed after installation.